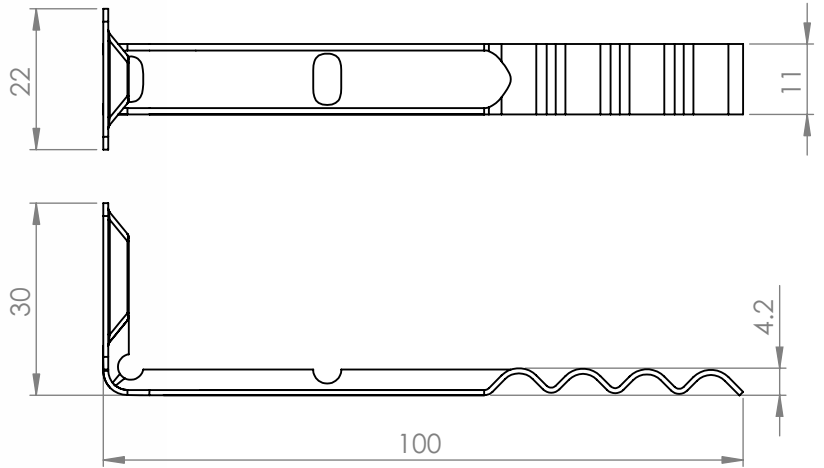


Face Fix Veneer Tie



DESCRIPTION

Face fix veneer tie for timber or steel stud construction Type A / 50mm cavity

FEATURES

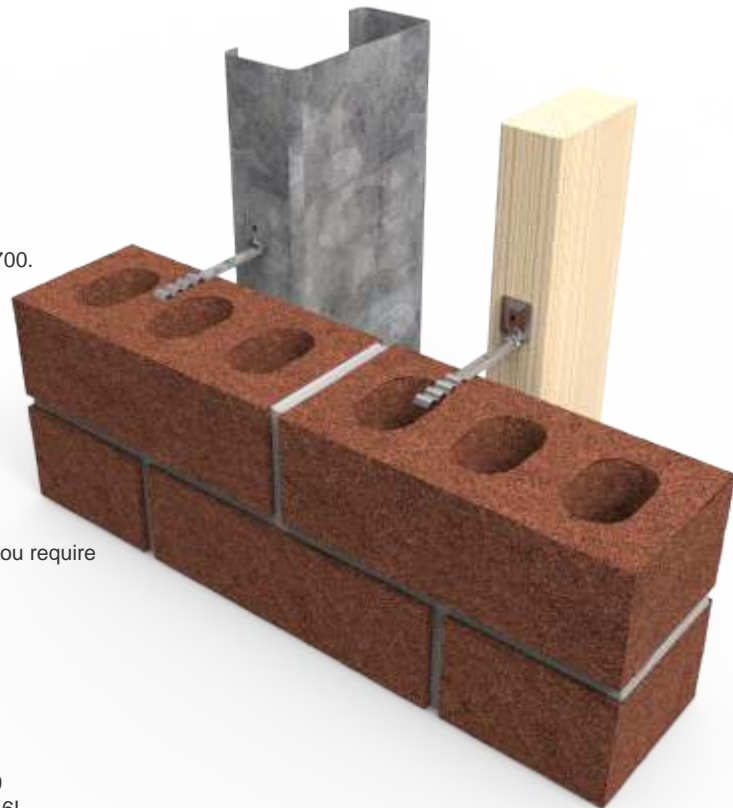
- Clay brick
- Maximum cavity 50mm
- Universal applications
- Australian design & tested AS/NZS 2699.2:2020

FIXING REQUIREMENTS

- 30mm X 2.8mm dia connector nail galvanised/ SS 316 (Timber)
- Cerra Multipurpose Screw hex head 10g X 35mm (Metal / Timber)
- For more information contact us with your project requirements.

CORROSION CHARACTERISTICS

Galvanised Z600 (R2)
 Stainless steel 316L (R4)
 Conforms to corrosion resistance set by AS/NZS 2699.2:2020 / AS 3700.



ORDERING INFORMATION

When ordering please supply use with the part number and quantity you require

CGT12-ECO-R4

PRODUCT CODE

MATERIAL

Specify
R2 for Galvanised Z600
R4 for Stainless steel 316L